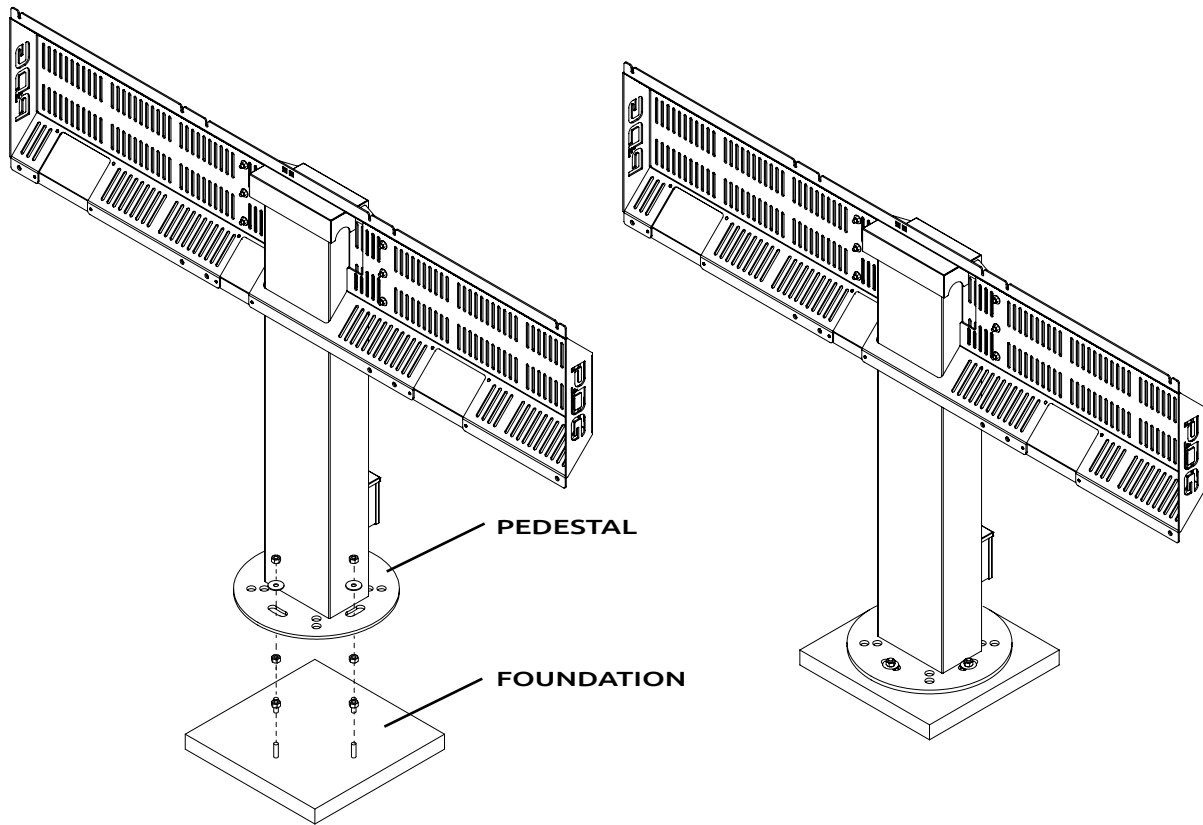


55" TRIPLE DIGITAL MENU BOARD
W/ OPTIONAL SPEAKER/MIC BOX



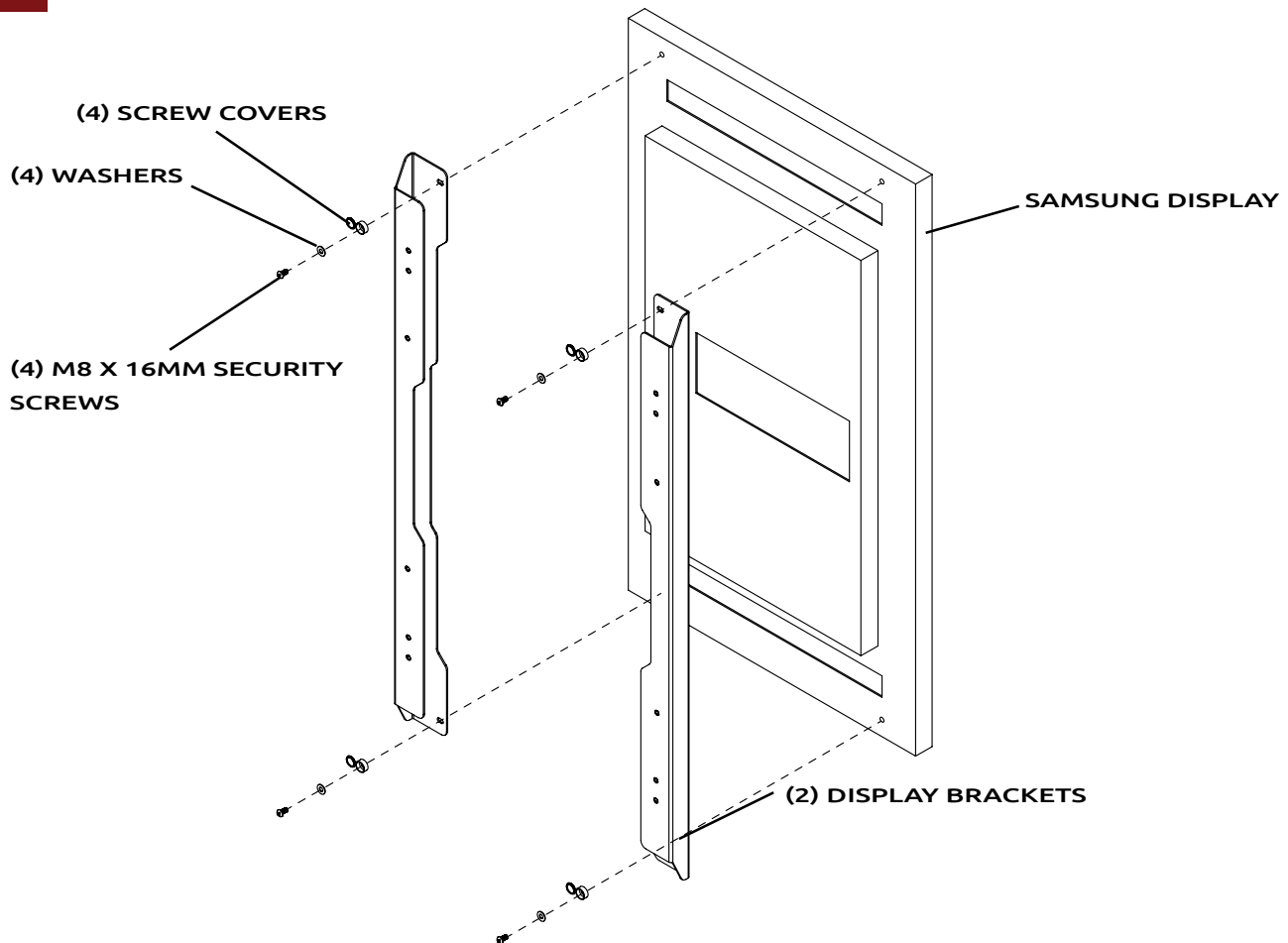
1

ATTACH PEDESTAL TO FOUNDATION AS SHOWN BELOW



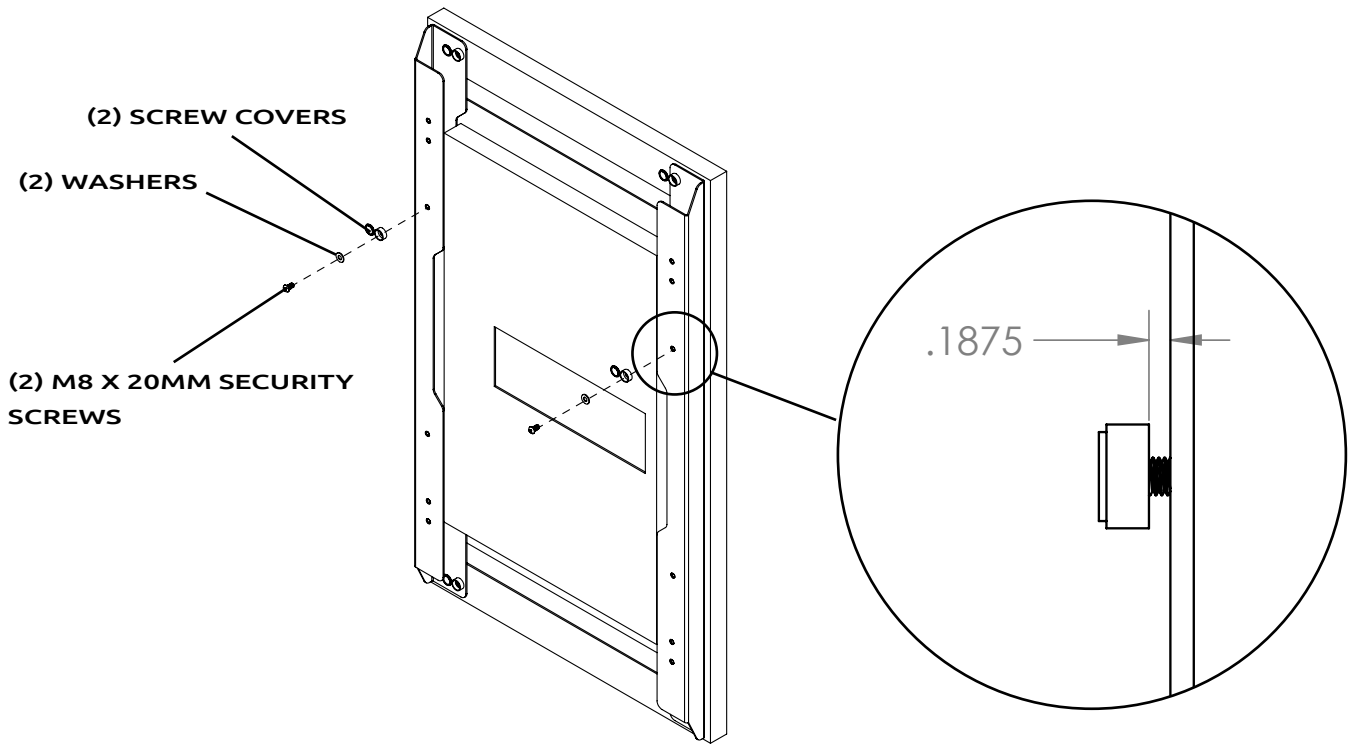
2

ATTACH BOTH DISPLAY BRACKETS TO DISPLAY USING HARDWARE SHOWN.



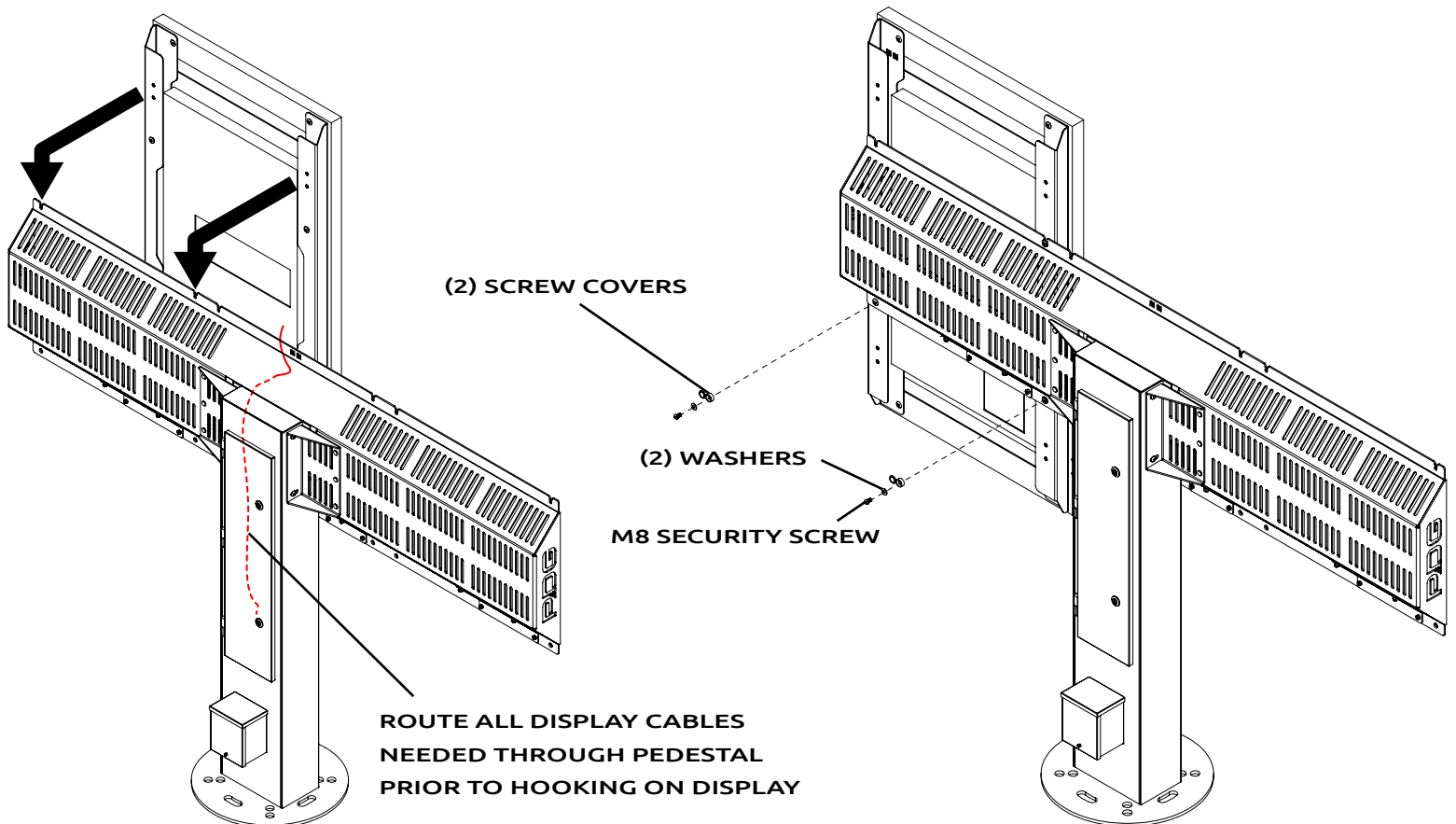
3

INSERT HARDWARE SHOWN INTO DISPLAY BRACKETS LEAVING A 3/16" GAP.



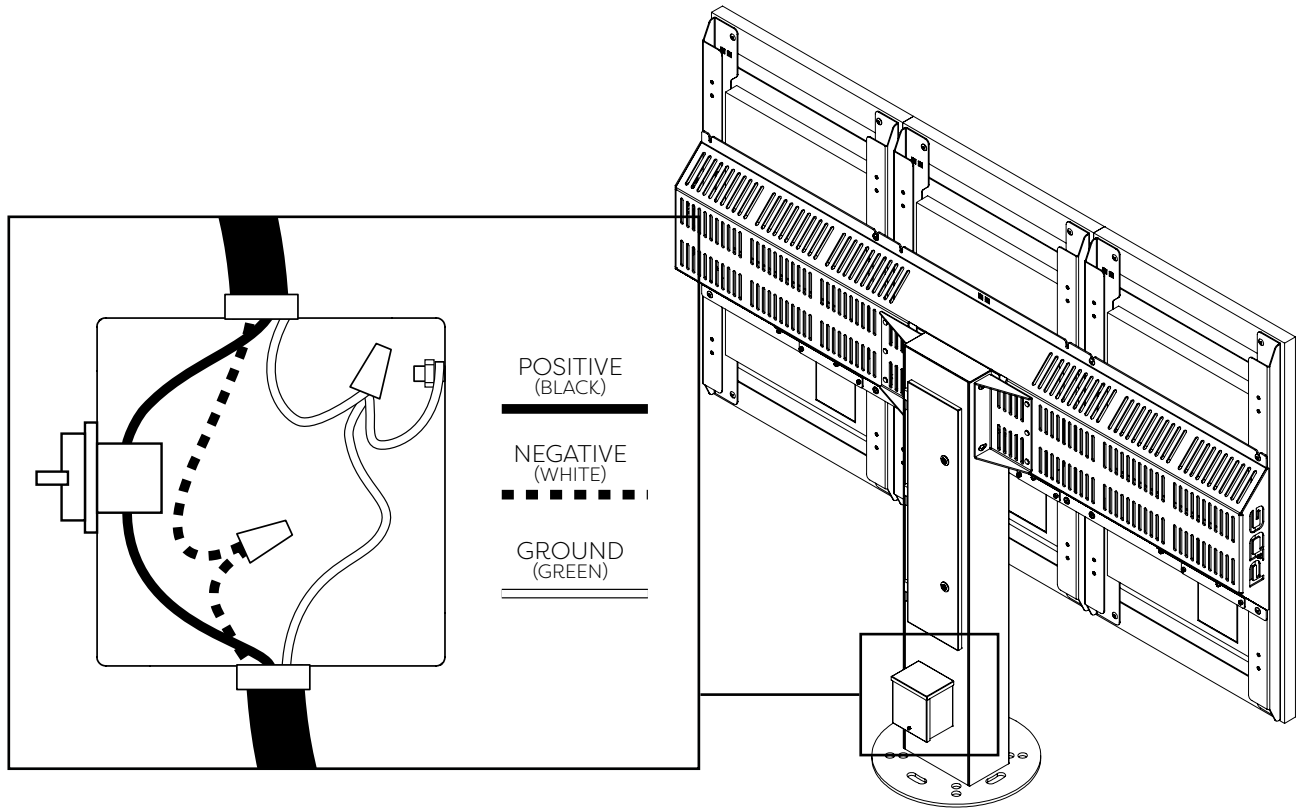
4

HOOK DISPLAY ONTO VERTICAL PEDESTAL, THEN SECURE DISPLAY TO PEDESTAL USING HARDWARE SHOWN BELOW. FULLY TIGHTEN ALL HARDWARE. REPEAT FOR OTHER DISPLAYS.



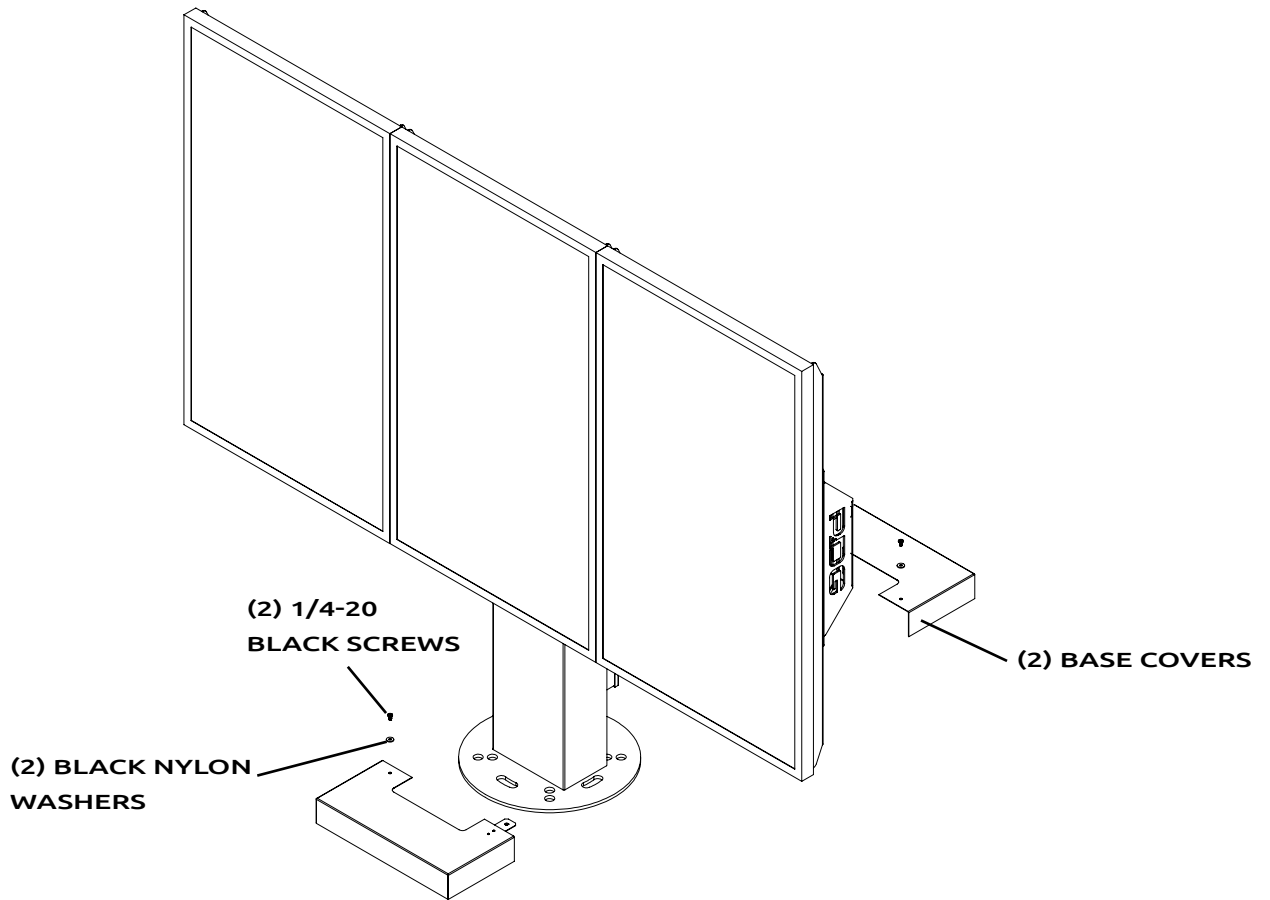
5

FOLLOW JUNCTION BOX WIRING DIAGRAM BELOW.



6

ATTACH BASE COVER TO BASE USING HARDWARE SHOWN.



7

NOTE: SPEAKER/MIC BOX CAN BE MOUNTED TO EITHER SIDE OF MENU BOARD. ATTACH SPEAKER/MIC BOX USING HARDWARE SHOWN.

